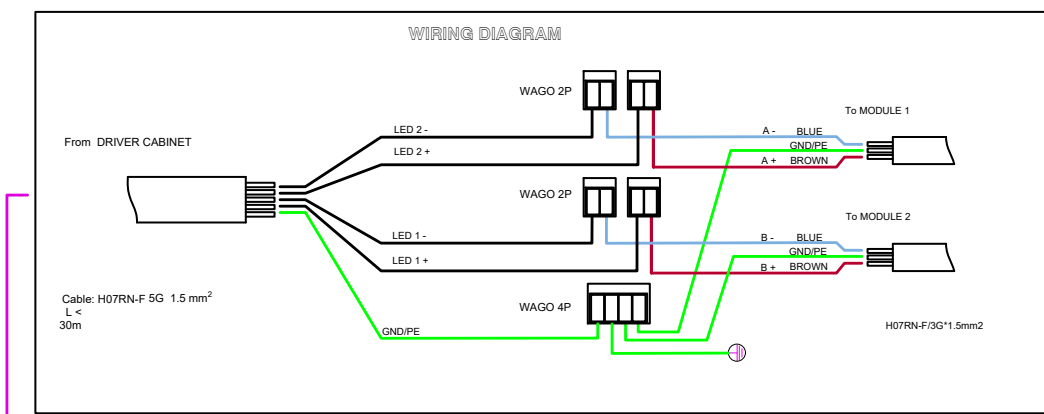
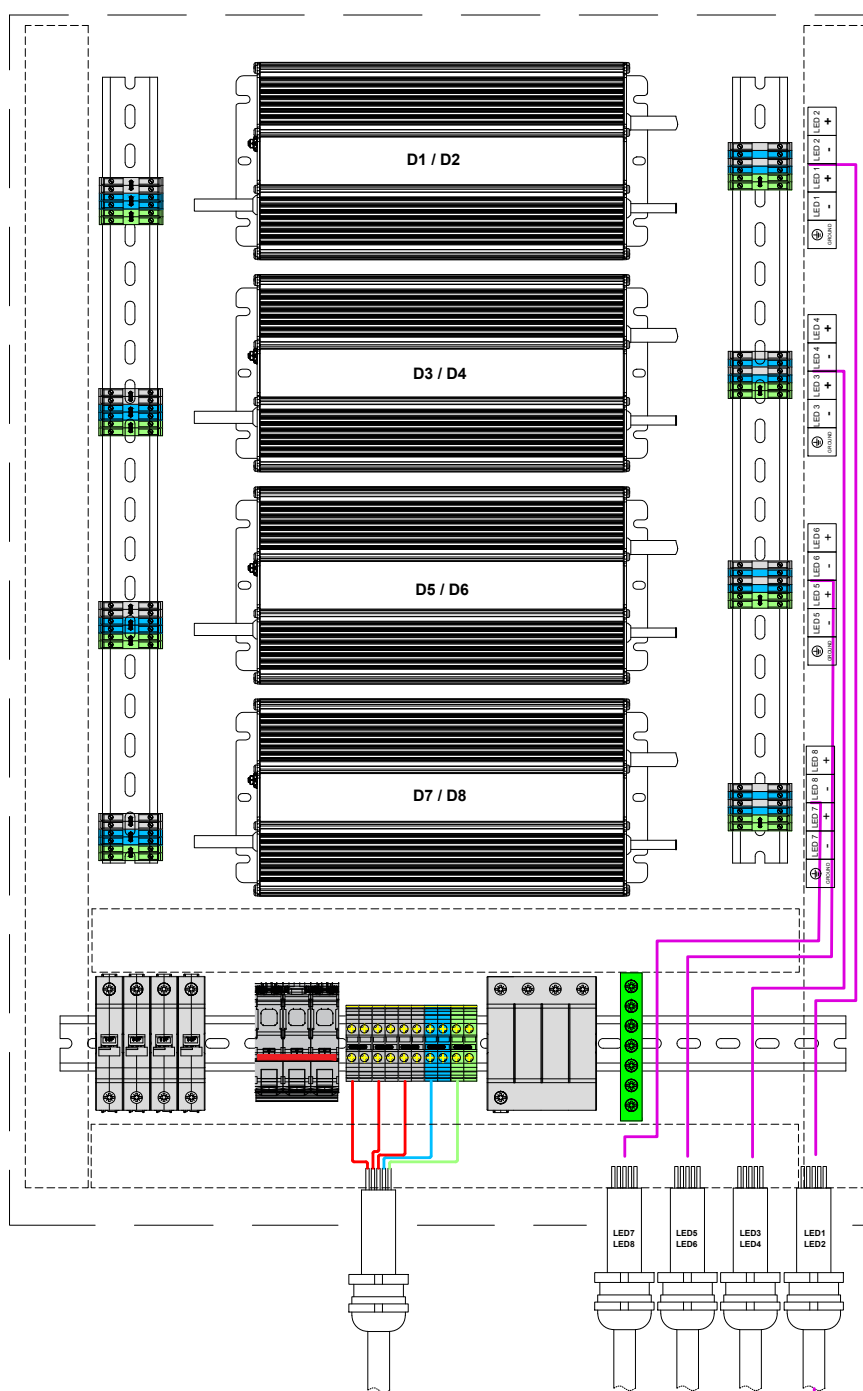


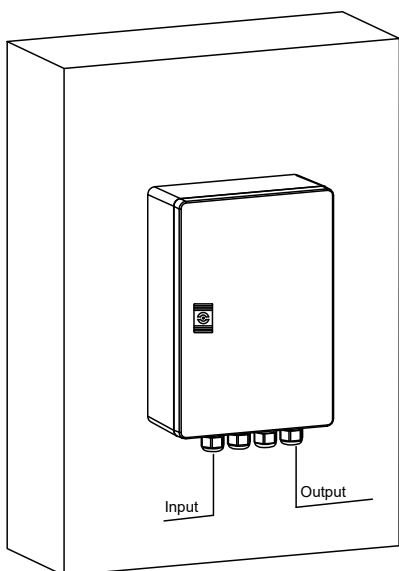
## Wiring scheme | Luminaire to Driver box



## Electrical connection | Driver box



## Driver box mounting



PG cable gland must be under the box  
in order to ensure waterproof



**CARDI**

Belysning från Elektroskandia

For informational purposes only. Content is subject to change.

Input cable: 5\*1.5mm<sup>2</sup> (up to 6.0mm<sup>2</sup>)

Output cable: H07RN-F/5G\*1.5mm<sup>2</sup> L  
< 30m